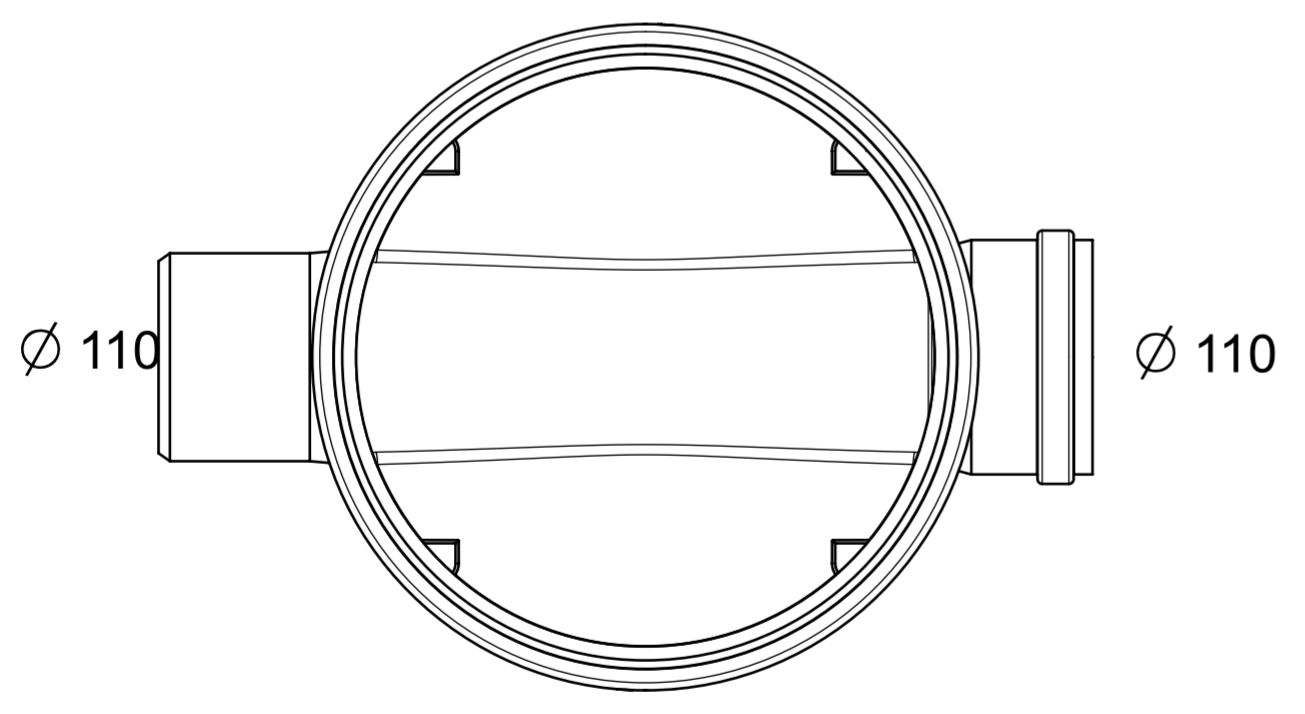
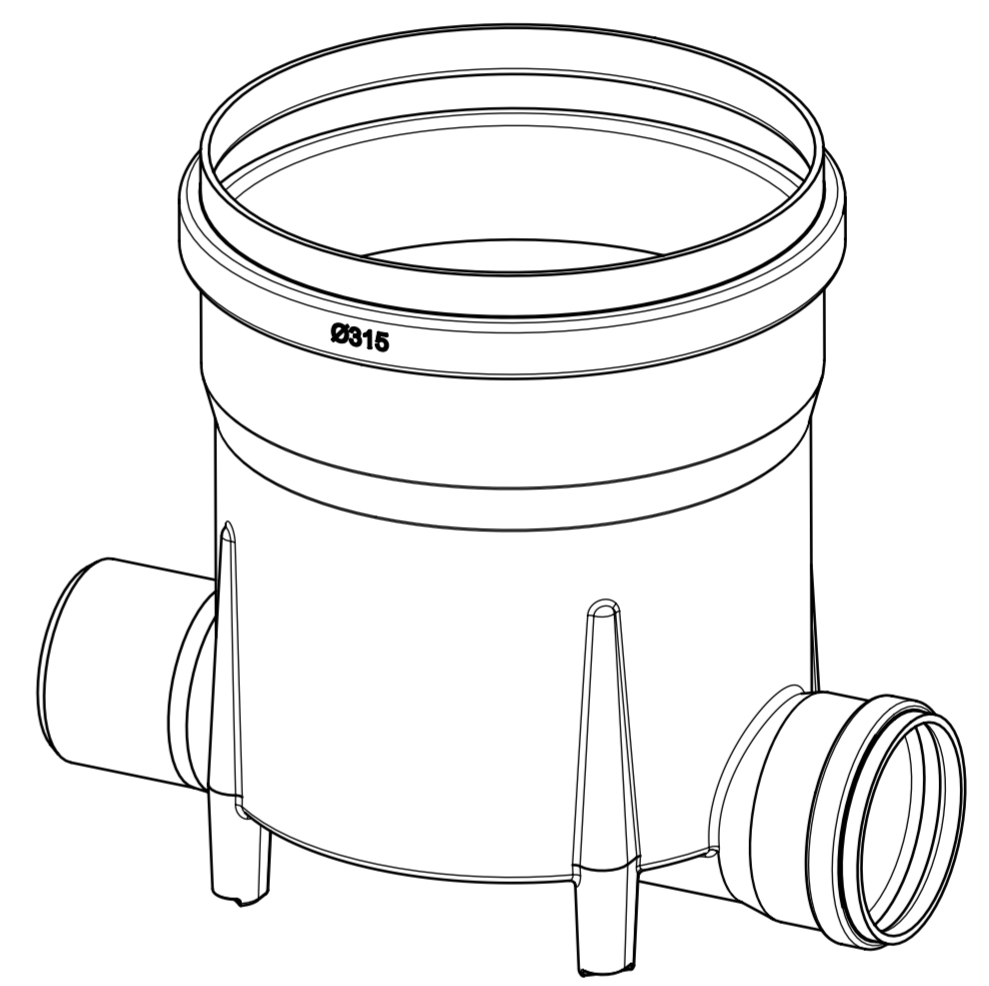
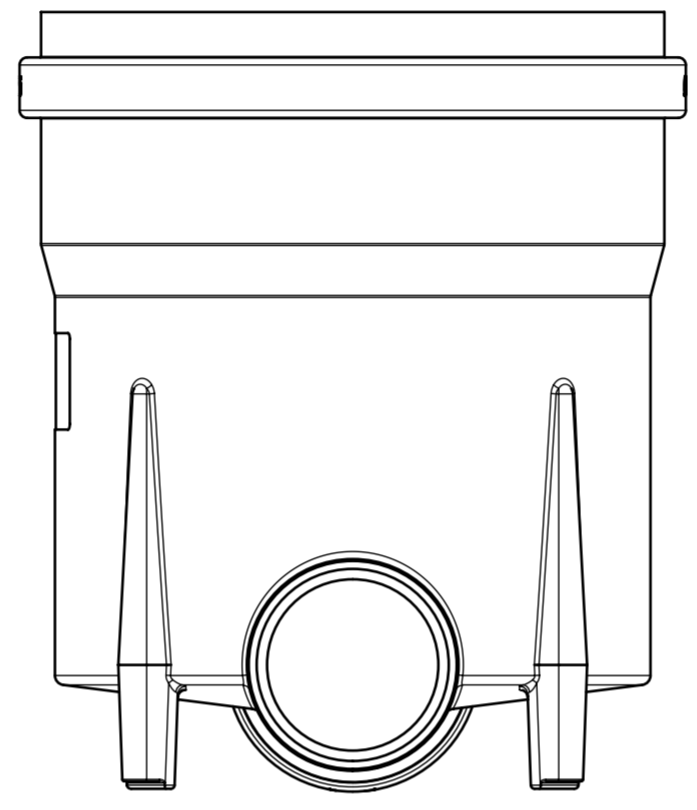
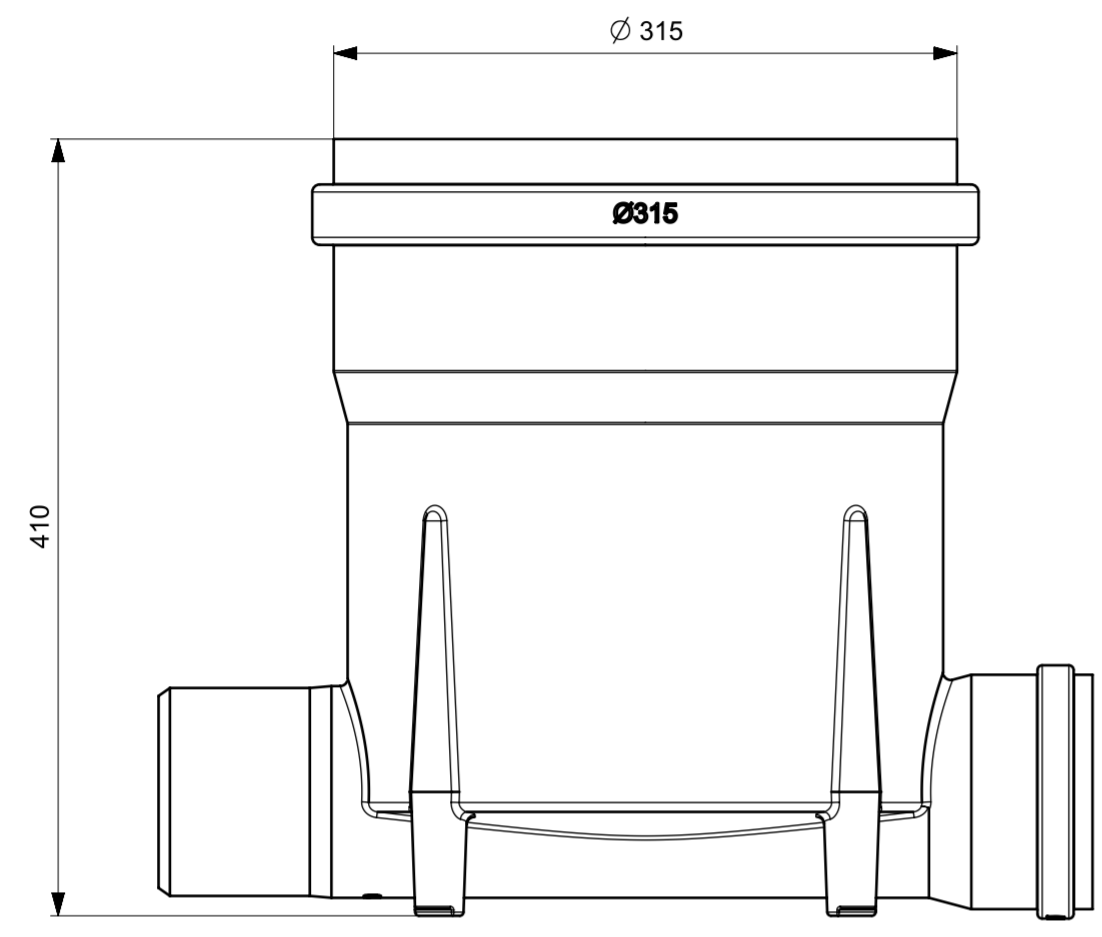
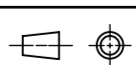


8 7 6 5 4 3 2 1

F  
E  
D  
C  
B  
A



Linear tolerances	Surface roughness	Shape and positioning tolerances	Bend tolerances	Finishing
Drawing name				Material
<b>PE NAZICHTPUT 22</b>				PE
Drawn by	Name	Date	 Drawing number <b>PE NAZICHTPUT 22_2D_1.01</b>	Sheet 1 of 1
Approved by	unit : MM			Scale 1 : 4
<b>DS PLASTICS</b> <small>WATERTIGHT SOLUTIONS</small>			<small>DS PLASTICS N.V.        Mosten 18        9160 Lokeren        T: +32 (0)9 280 78 80</small>	<small>All rights reserved. No parts of this concept may be reproduced in any form or by any means without the prior written permission of DS PLASTICS N.V.</small>

8 7 6 5 4 3 2 1